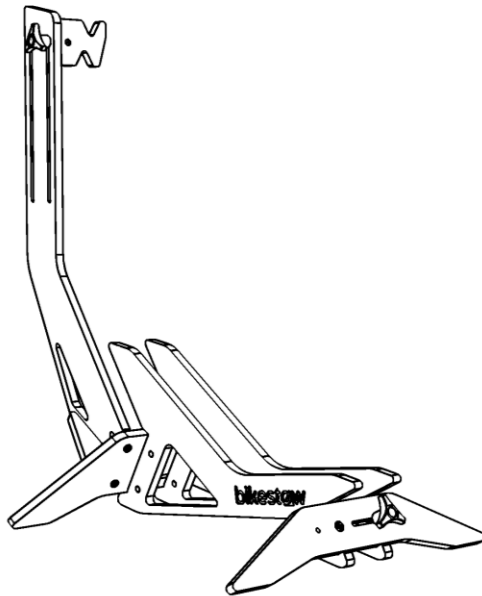


bikestow



Stance Upright Adapter INSTRUCTIONS

Thank you for your order!

Have any questions?

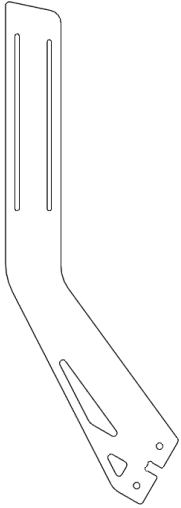
info@bikestow.com

(+44) 01384 893232

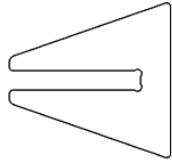
Love, the BikeStow family



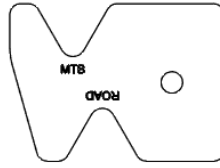
ASSEMBLY



Tail x 1



Brace x 1



Seat-post
Cradle x1



Cross Dowel
Nut x 3



Screw x 2

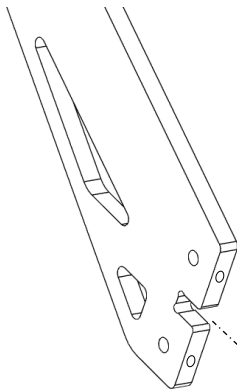


Thumb
Screw x 1

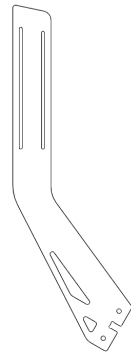
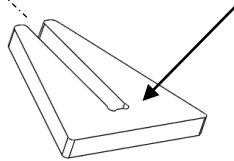


Thumb Screw
Washer x 1

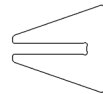
1



Hex pattern facing
upwards

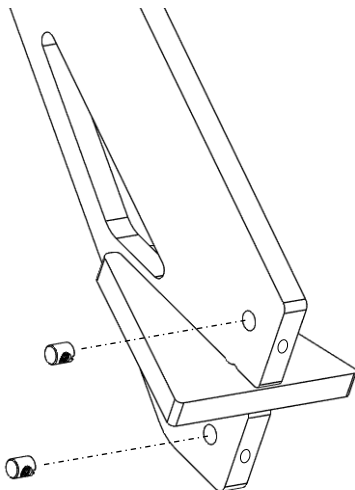


x 1



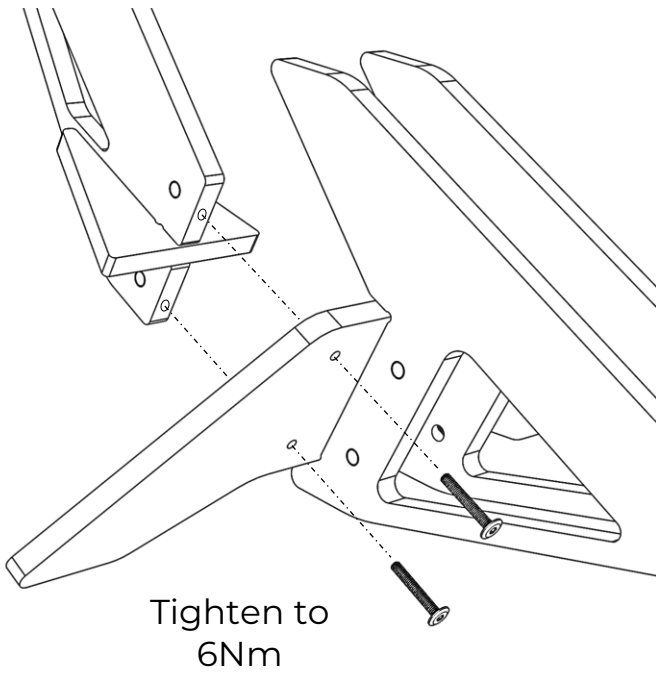
x 1

2

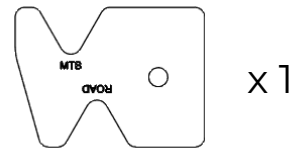
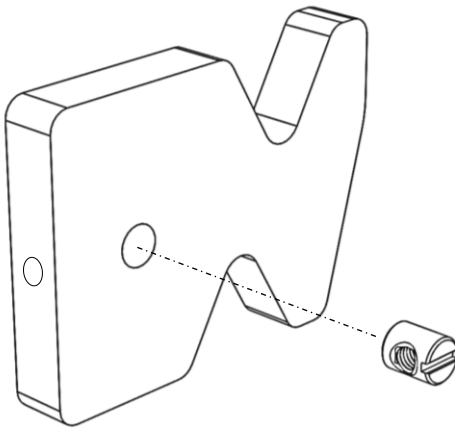


x 2

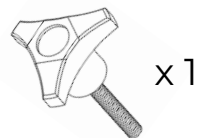
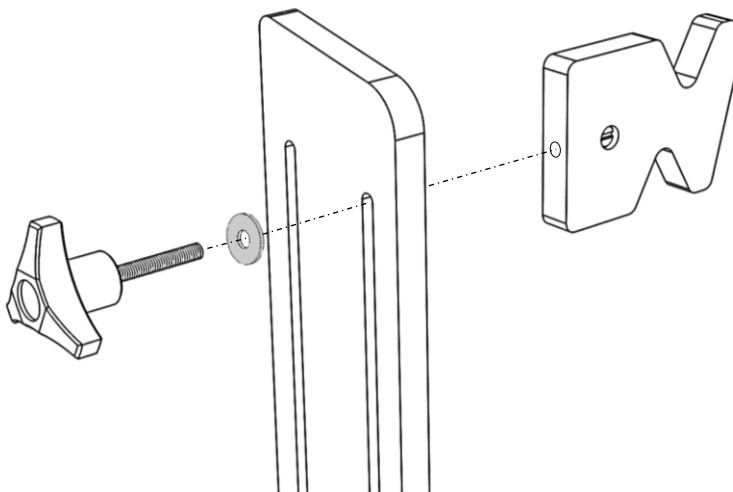
3



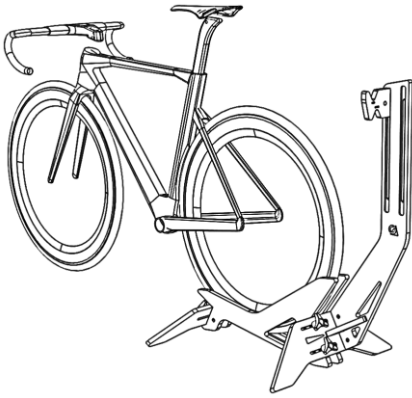
4



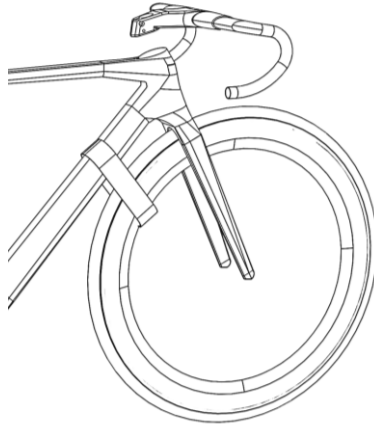
5



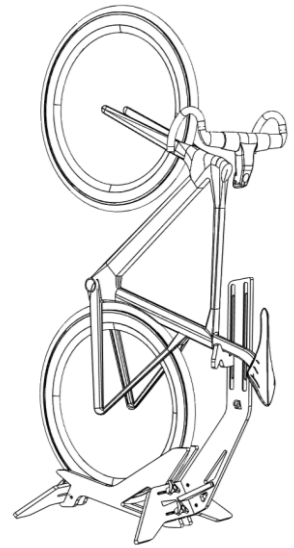
USE



1. Load bike into Stance



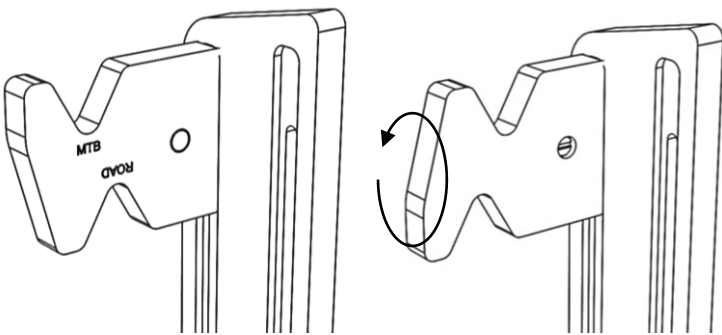
2. Secure front wheel with strap



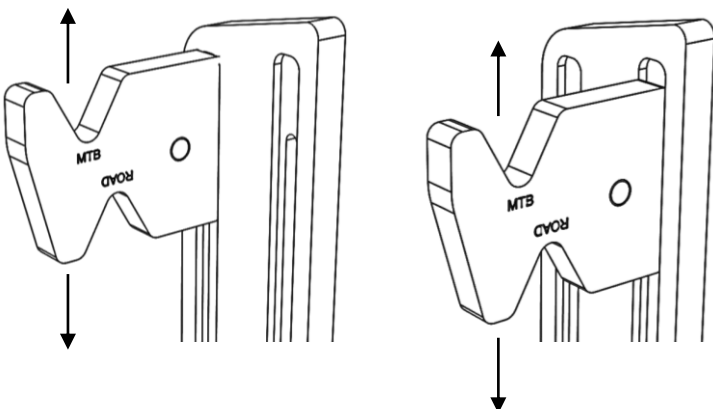
3. Rotate bike upwards and rest seat-post on cradle

Not suitable for bikes over 15kg

ADJUSTMENTS



Cradle can be flipped to ensure the seat-post 'v' lines up with your seat-post.



Cradle can be moved up or down and between slots depending on the size and geometry of your bike.