



BikeStow Stance INSTRUCTIONS

Thank you for your order!

Please read the following instructions carefully.

Any questions or feedback, please don't hesitate to contact us:

Email: info@bikestow.com

Tel: (+44) 01384 893232

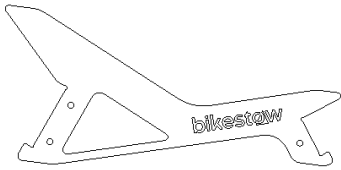
Love, the BikeStow family

CONTENTS

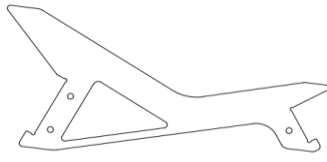
| | |
|------------------|---|
| Assembly | 2 |
| Use..... | 4 |
| Cleaning..... | 5 |
| Maintenance..... | 5 |



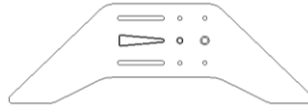
ASSEMBLY



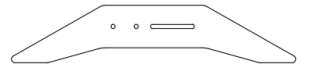
Side (Left) x 1



Side (Right) x 1



Rear x 1



Front x 1



Cross Dowel
Nut x 6



Screw x 3

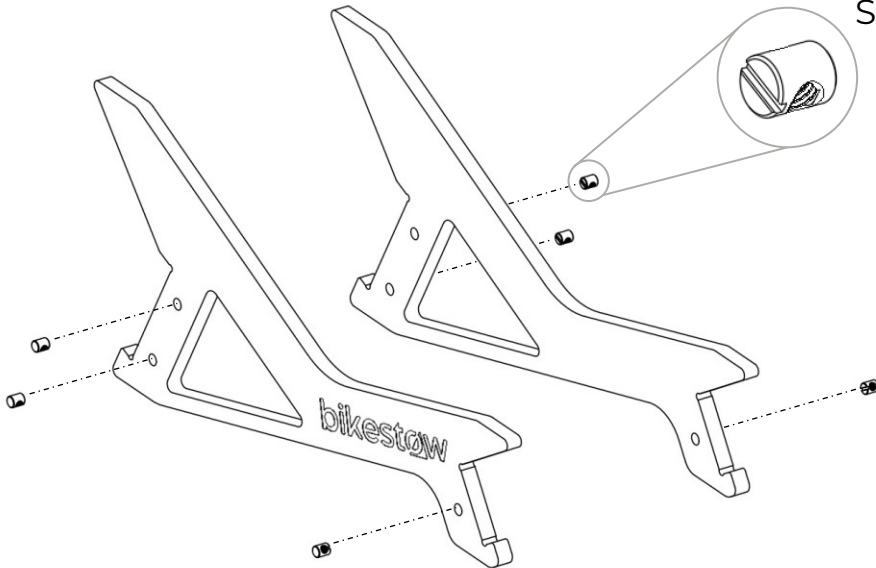


Thumb
Screw x 3



Thumb Screw
Washer x 3

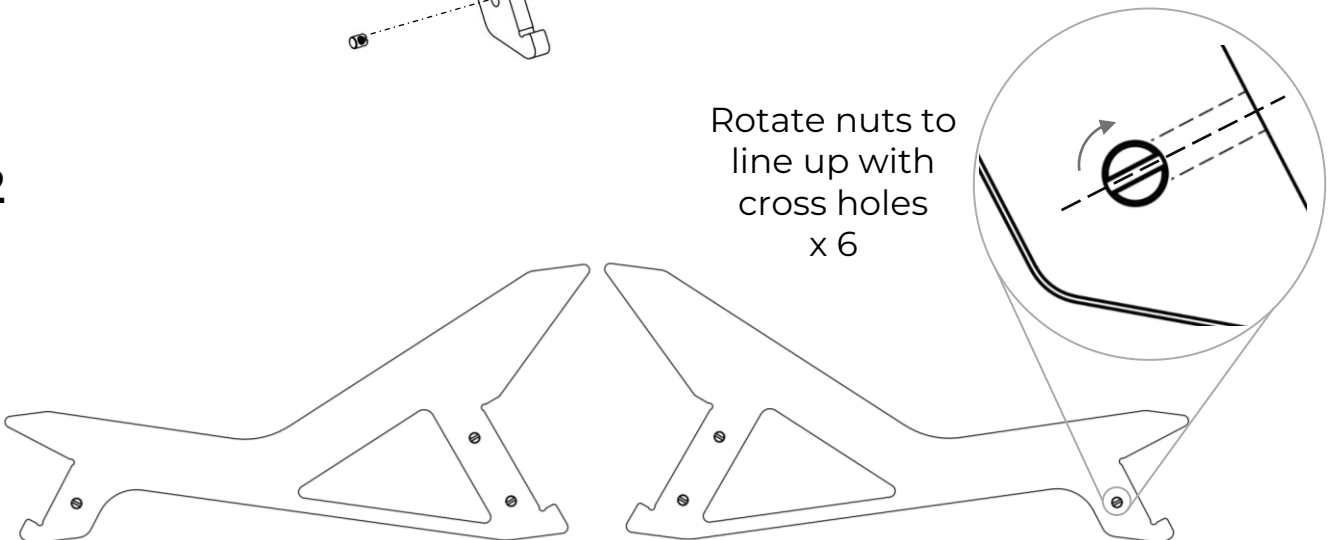
1



Slot facing inwards
- smooth side
facing outwards

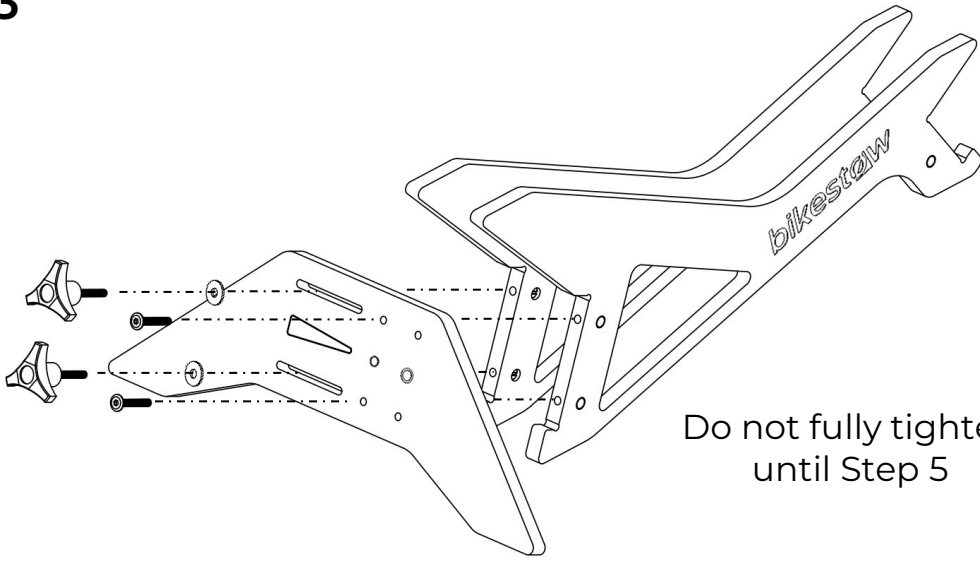


2



Rotate nuts to
line up with
cross holes
x 6

3



Do not fully tighten until Step 5

1 washer per thumb screw



x 2

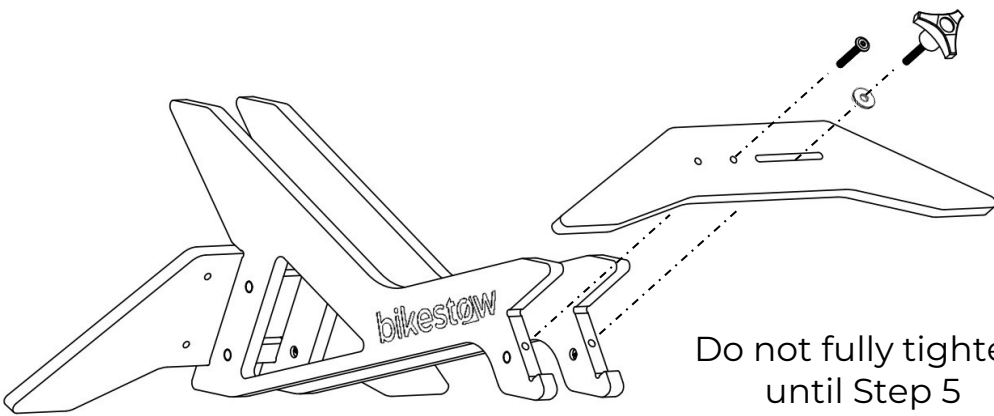


x 2



x 2

4



Do not fully tighten until Step 5

1 washer per thumb screw



x 1

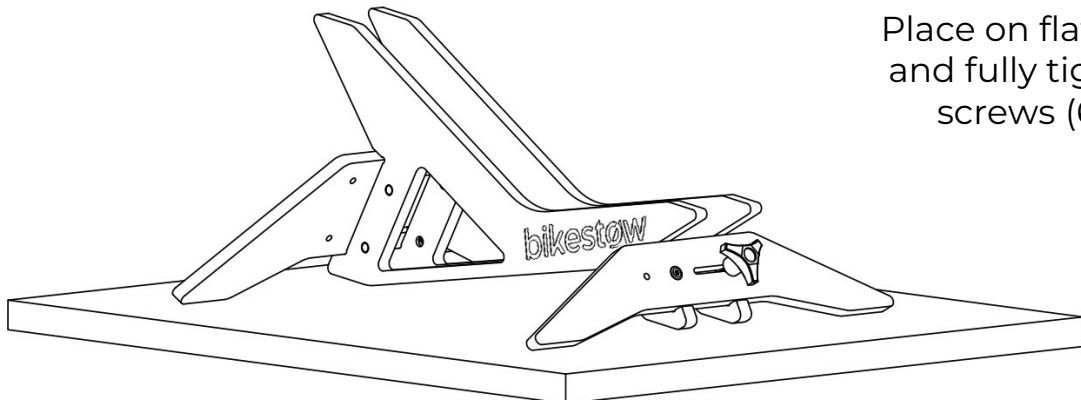


x 1



x 1

5

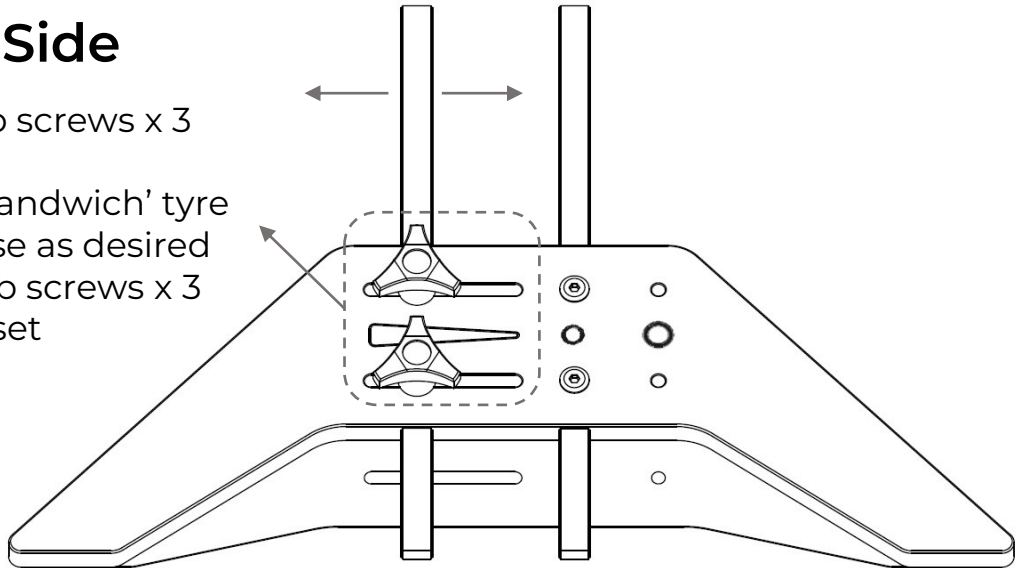


Place on flat surface and fully tighten all screws (6Nm)

USE

Sliding Side

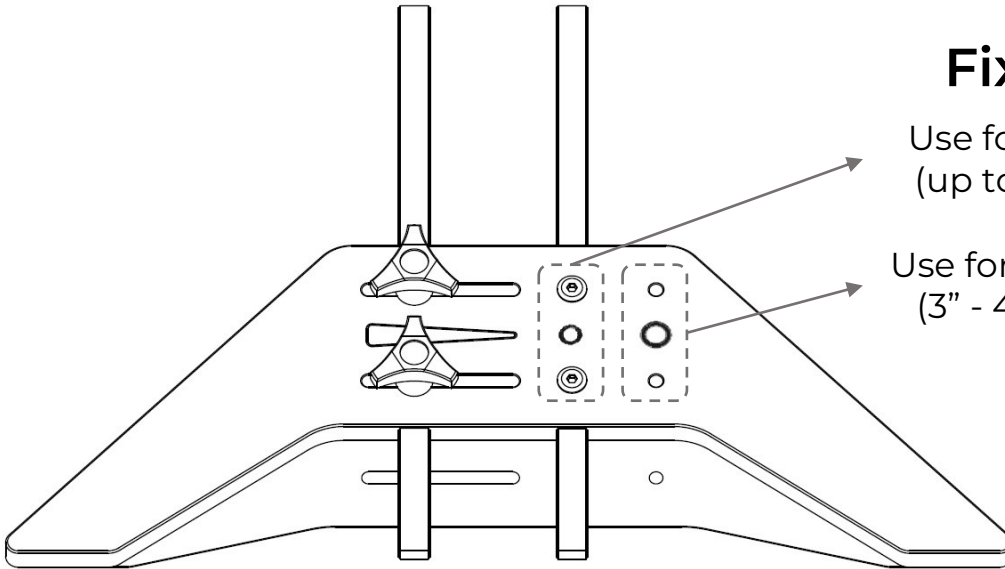
1. Loosen thumb screws x 3
2. Insert bike
3. Slide side to 'sandwich' tyre as tight or loose as desired
4. Tighten thumb screws x 3
5. Width is now set



Fixed Side

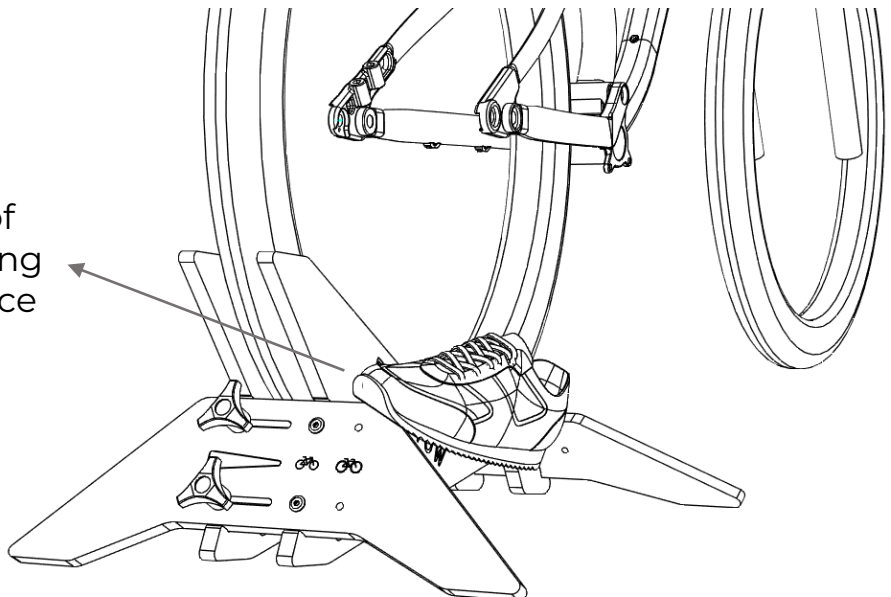
Use for regular bikes
(up to 3" wide tyres)

Use for plus & fat bikes
(3" - 4.8" wide tyres)



Tip

Place foot on rear of
Stance when removing
bike to keep it in place



CLEANING

PLYWOOD EDGES

Use some fine grit sandpaper (240 or above) to clean any dirty plywood edges. Be careful not to the coloured faces.

Although we use exterior-grade birch plywood which is suitable for wet-tyres, applying the Beeswax Polish in our [Love Thy Ply Kit](#) to the exposed plywood edges can add another level of protection. Wood sealer or varnish can also be used for heavier duty protection.

COLOURED FACES

Use a slightly damp microfibre cloth to clean any fingerprints, smudges, or other marks. Sticky Stuff Remover, or similar, can be used in **small** amounts for more stubborn marks.



MAINTENANCE

For spare or replacement parts, please email info@bikestow.com

STIFF SLIDING

If the sliding action when adjusting the tyre width becomes stiff, use the sandpaper and beeswax polish in our [Love Thy Ply Kit](#) to loosen the joint, remove any roughness, and create a smooth surface to slide along.



ANTI-SEIZE GREASE

To prevent the thumb screws seizing or becoming stiff long term, periodically apply a small amount of anti-seize grease to the first few threads of each thumb screw every 6-12 months.

We recommend PTFE grease, such as [Fenwick's PTFE Anti-Seize](#).

