

BikeStow Stance

Assembly	2
Use	4
Cleaning & Maintenance	5

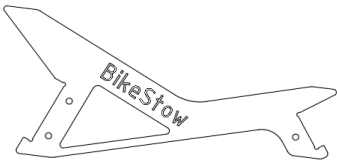
Have any questions?

info@bikestow.com

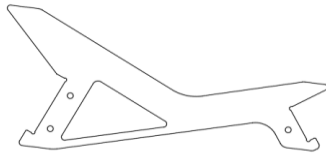
(+44) 01384 893232



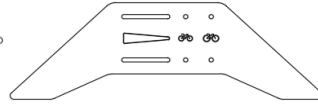
ASSEMBLY



Side (Left) x 1



Side (Right) x 1



Rear x 1



Front x 1



Cross Dowel
Nut x 6



Screw x 3

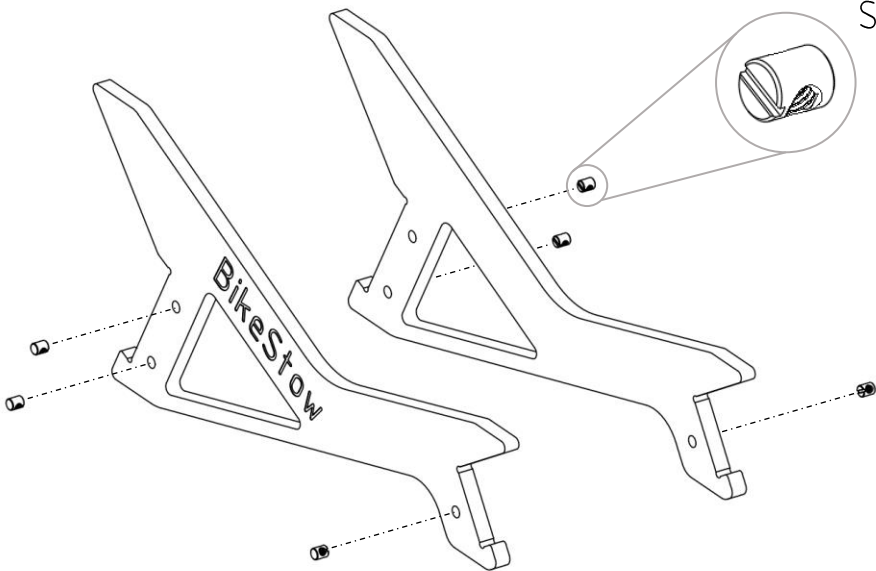


Thumb
Screw x 3



Thumb Screw
Washer x 3

1

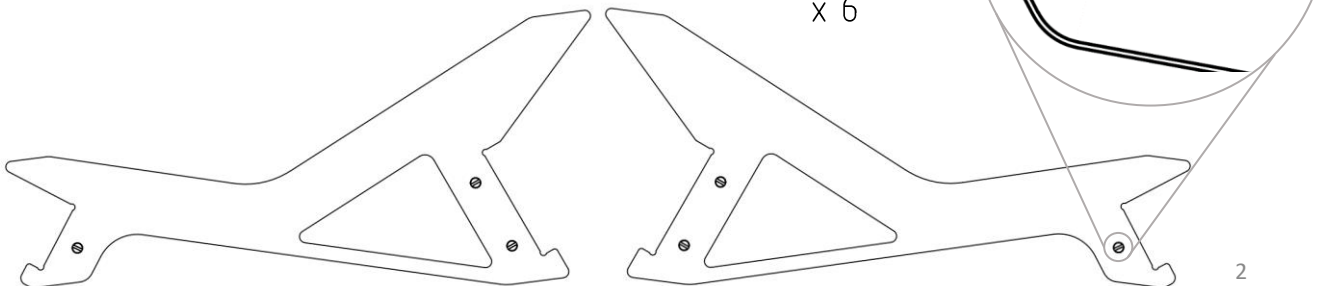


Slot facing inwards
- smooth side
facing outwards

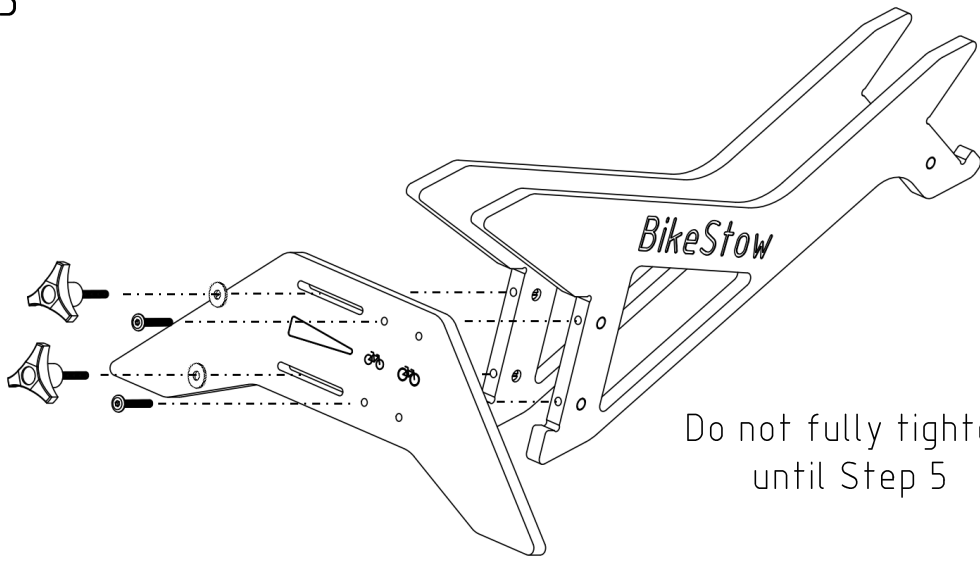


2

Rotate nuts to
line up with
cross holes
x 6

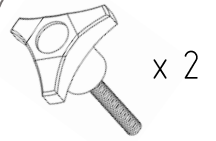


3

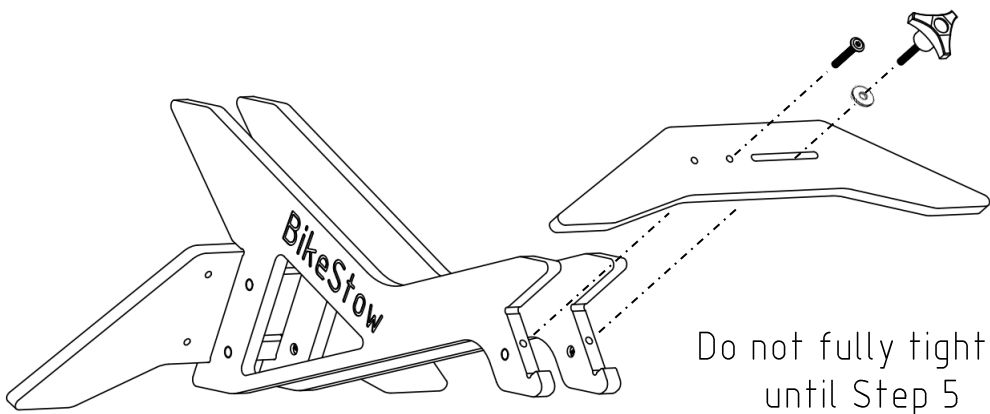


Do not fully tighten until Step 5

1 washer per thumb screw

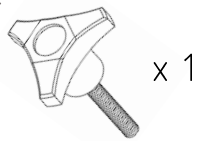


4

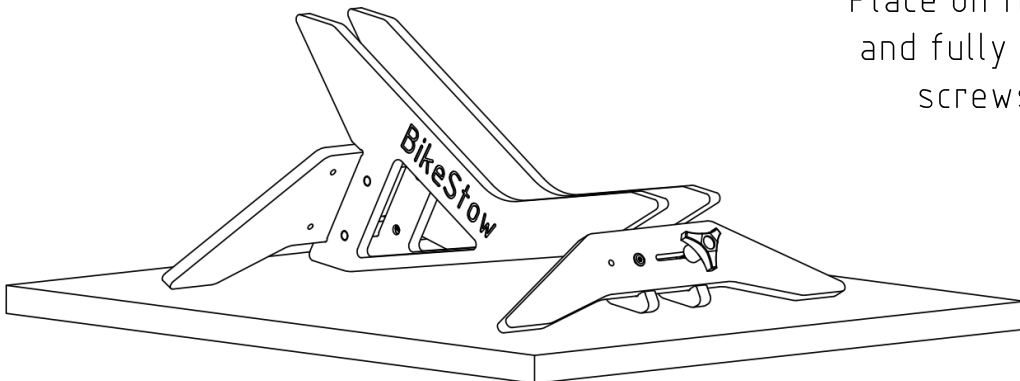


Do not fully tighten until Step 5

1 washer per thumb screw



5

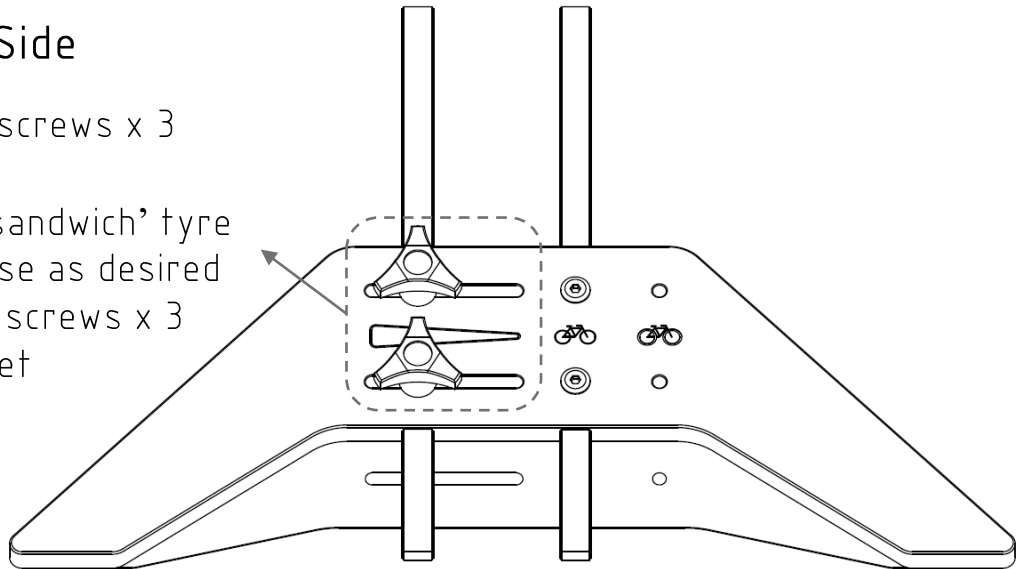


Place on flat surface and fully tighten all screws (6Nm)

USE

Sliding Side

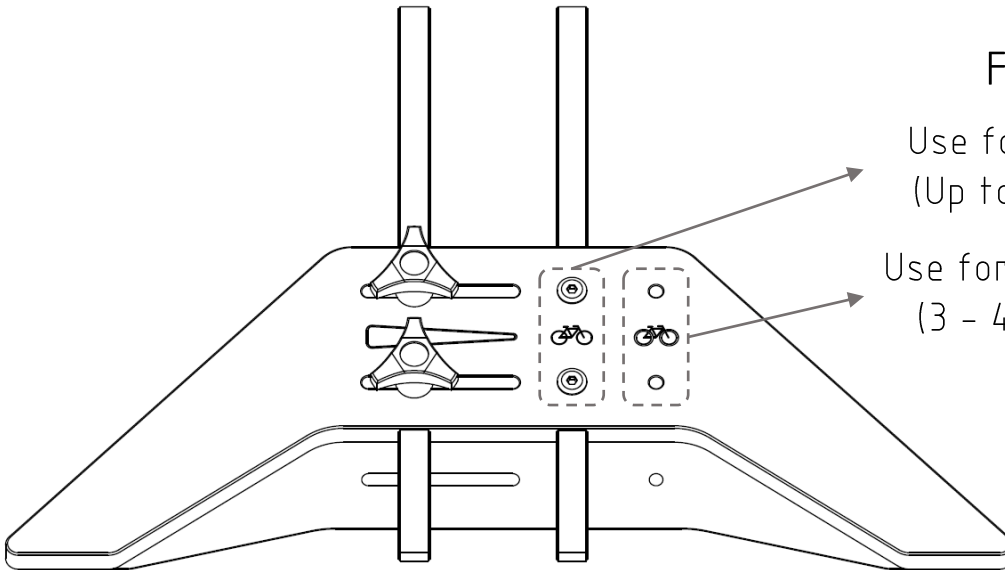
1. Loosen thumb screws x 3
2. Insert bike
3. Slide side to 'sandwich' tyre as tight or loose as desired
4. Tighten thumb screws x 3
5. Width is now set



Fixed Side

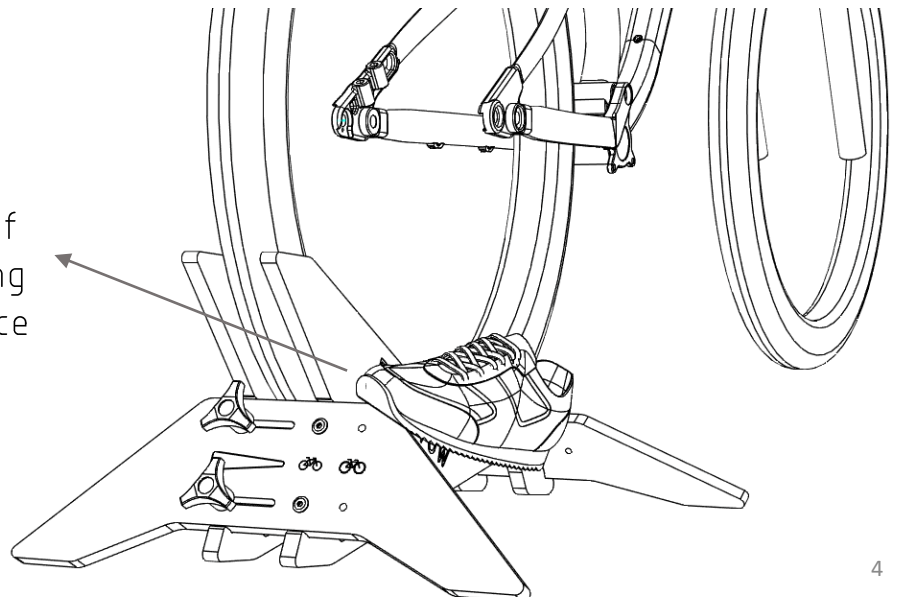
Use for regular bikes
(Up to 3" wide tyres)

Use for plus & fat bikes
(3 - 4.8" wide tyres)



Tip

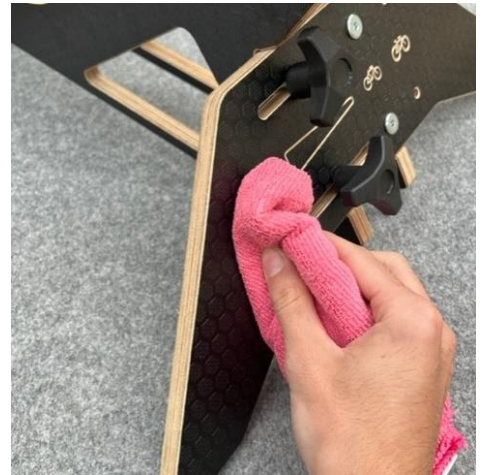
Place foot on rear of
Stance when removing
bike to keep it in place



CLEANING & MAINTENANCE

COLOURED FACES

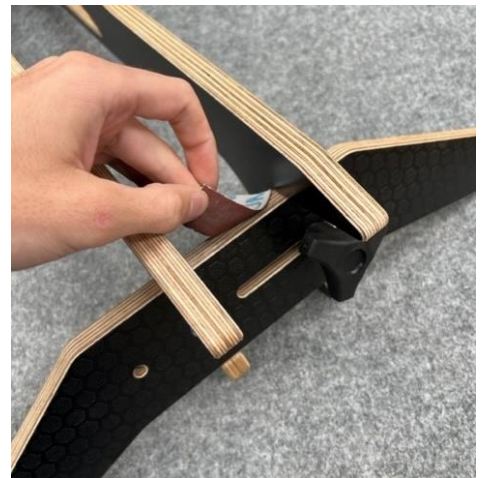
Use a slightly damp microfibre cloth to clean any fingerprints, smudges, or other marks. Sticky Stuff Remover, or similar, can be used in **small** amounts for more stubborn marks.



PLYWOOD EDGES

If you wish to really make your Stance look brand new, use some fine grit (240 or above) sandpaper to clean up any dirty plywood edges. Be extra careful not to scratch the coloured faces.

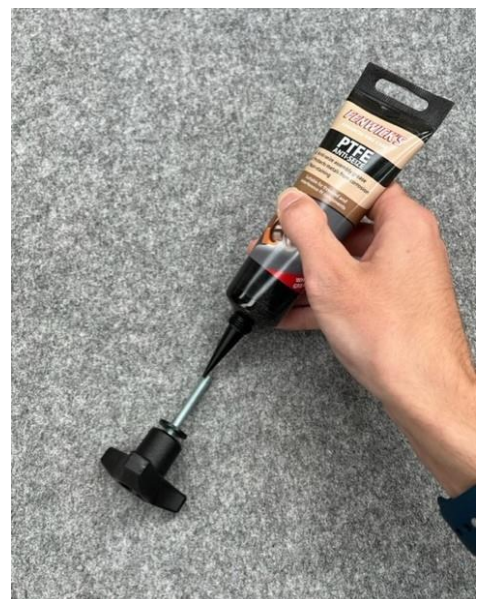
We use exterior-grade birch plywood which is suitable for wet-tyres and soggy grass. However, if you want an extra layer of protection, apply a wood sealer or varnish such as Osmo Polyx Oil to the plywood edges.



ANTI-SEIZE GREASE

To keep the thumb screws turning smoothly, we recommend applying a small amount of anti-seize grease to the first few threads of each thumb screw every 6-12 months.

This will stop them seizing or becoming stiff long term. We recommend Fenwick's PTFE Anti-Seize Grease, as it's easy to clean.



SPARE PARTS

If you loose a nut or screw, email us at:

info@bikestow.com